



Schweizerische Eidgenossenschaft
Confédération suisse
Confederazione Svizzera
Confederaziun svizra

Federal Department of Justice and Police FDJP

Federal Office of Metrology METAS

**TWSTFT at
METAS
Ch. Schlunegger**



TWSTFT Operation Interrupted

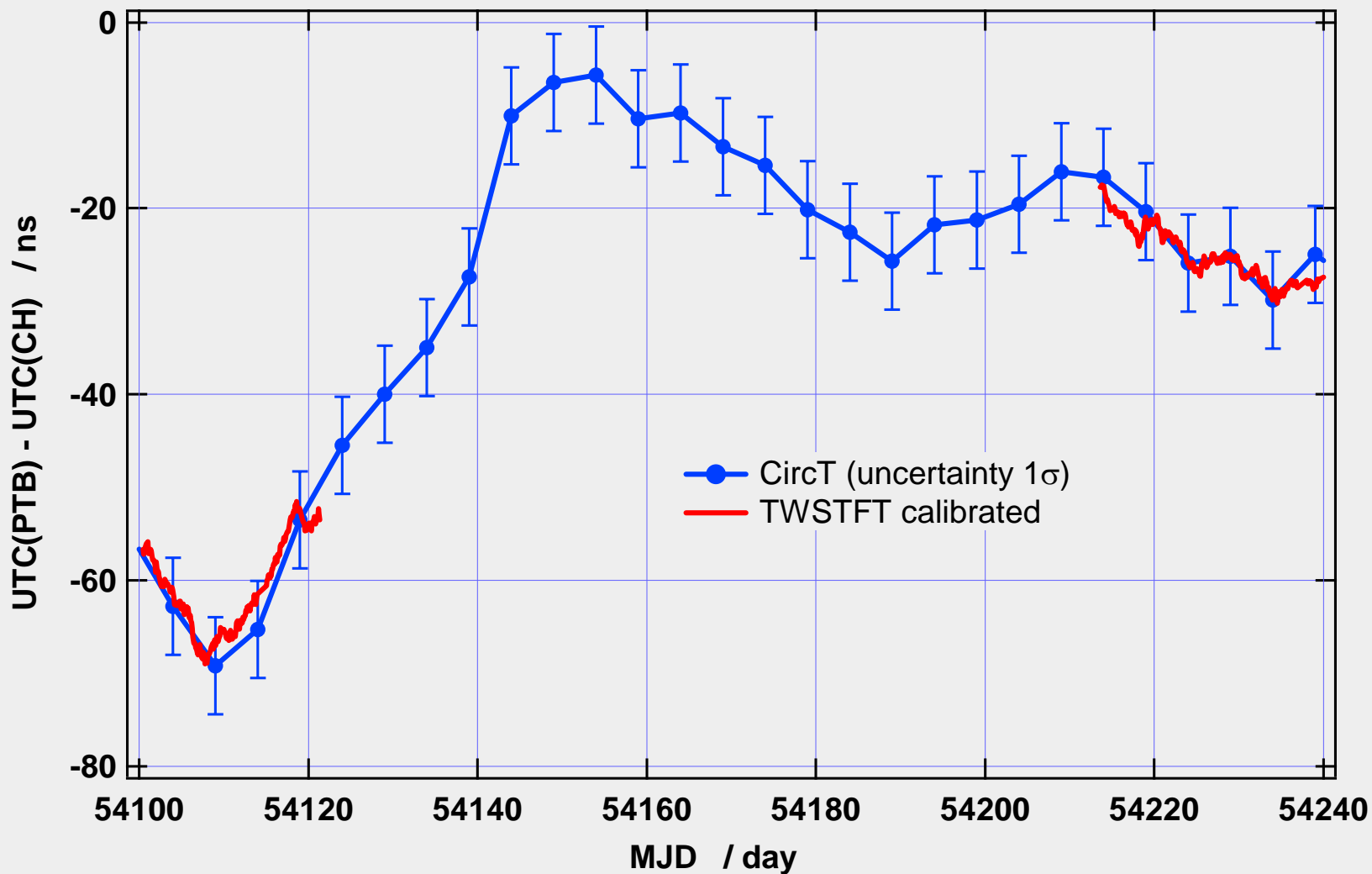
- ◆ Station failure on 21 January 10:00 UTC
- ◆ Faulty transceiver
- ◆ Sent transceiver to Sematron



- ◆ Station in operation again since 23 April 06:00 UTC



TWSTFT Reentrant Measurement





Applying Calibration Results

- ◆ TW link UTC(PTB)-UTC(CH) calibrated on June 2006
- ◆ Calibration constants published in ITU-files since 1 December 2006
- ◆ METAS TWSTFT
=> Official connection to TAI since July 2007

CircT: Uncertainty of UTC - UTC(CH)

CIRCULAR T 235
2007 AUGUST 14, 08h UTC

ISSN 1143-1393

BUREAU INTERNATIONAL DES POIDS ET MESURES
ORGANISATION INTERGOUVERNEMENTALE DE LA CONVENTION DU METRE
PAVILLON DE BRETEUIL F-92312 SEURES CEDEX TEL. +33 1 45 07 70 70 FAX. +33 1 45 34 20 21 tai@bipm.org

1 - Coordinated Universal Time UTC and its local realizations UTC(k). Computed values of [UTC-UTC(k)] and uncertainties valid for the period of this Circular. From 2006 January 1, 0h UTC, TAI-UTC = 33 s.

Date 2007 MJD Laboratory k	0h UTC	JUN 28	JUL 3	JUL 8	JUL 13	JUL 18	JUL 23	JUL 28	Uncertainty/ns			Notes
		54279	54284	54289	54294	54299	54304	54309	uA	uB	u	
[UTC-UTC(k)]/ns												
AOS (Borowiec)		0.4	-0.3	5.7	11.7	1.1	3.5	5.1	1.5	5.1	5.3	
APL (Laurel)		2.1	-9.9	-13.0	-1.6	-3.0	-7.1	3.0	1.5	5.1	5.3	
AUS (Sydney)		149.2	145.9	151.9	149.3	144.8	134.8	141.1	1.5	5.0	5.3	
BEU (Wien)		-38.7	-35.1	-25.3	-28.9	-27.5	-35.2	-33.3	2.0	5.0	5.4	
BIM (Sofiya)		-5529.9	-5537.3	-5538.8	-5526.7	-5534.5	-5536.8	-5549.9	5.0	20.0	20.6	
BIRM (Beijing)		-3258.2	-3320.3	-3345.2	-3380.3	-3405.3	-3438.6	-3464.6	3.5	20.0	20.3	
BY (Minsk)		150.7	173.0	190.3	206.2	205.8	221.3	244.4	7.0	20.0	21.2	
CAO (Cagliari)		-950.8	-978.6	-978.6	-965.6	-979.9	-1002.2	-1013.2	1.5	7.0	7.2	
CH (Bern)		-22.4	-17.8	-15.5	-12.7	-12.2	-13.2	-11.4	0.5	1.3	1.4	
CNM (Queretaro)		4.0	10.7	10.5	16.5	18.1	12.7	20.0	5.0	5.1	7.1	

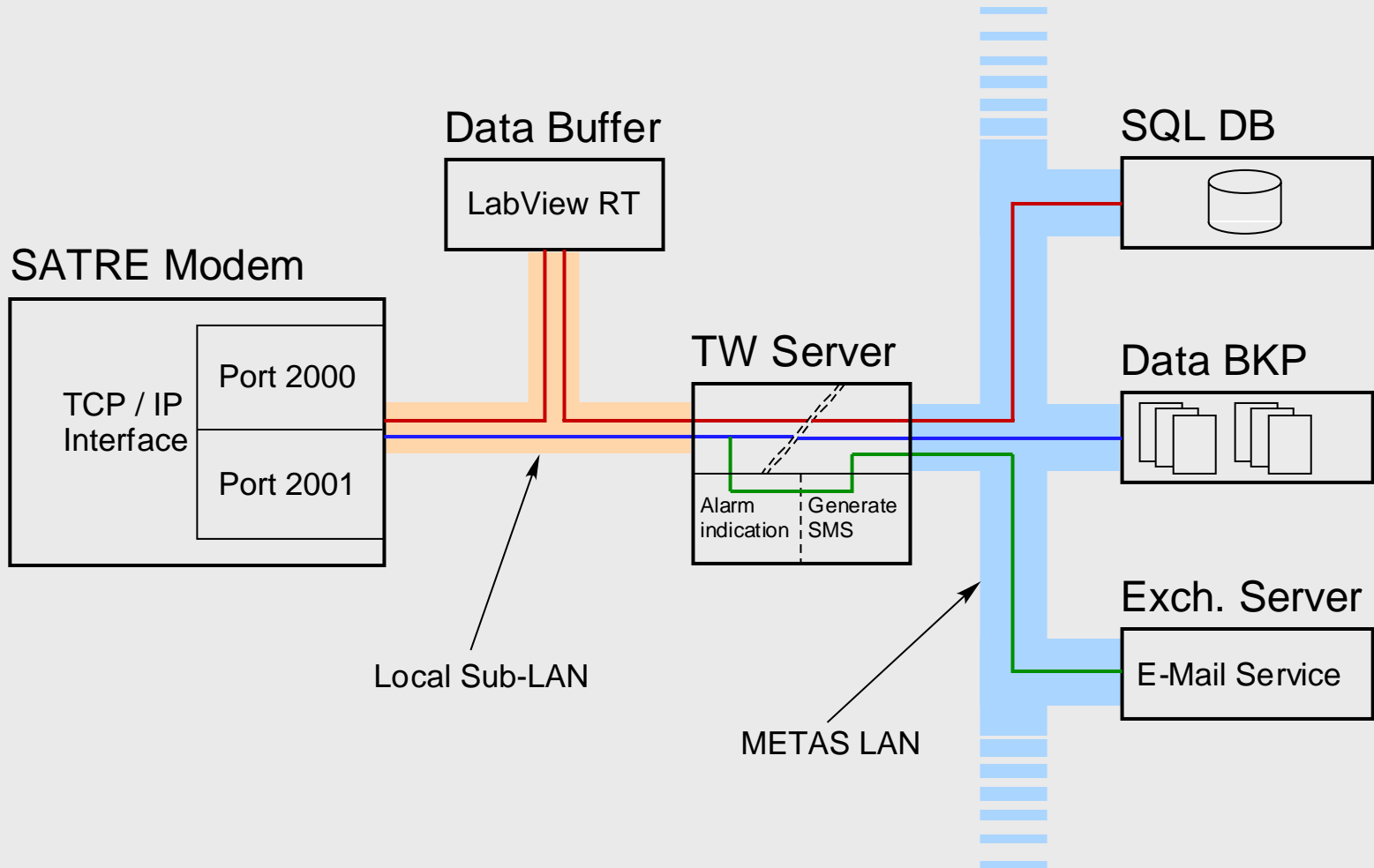
Uncertainty/ns

uA uB u

CH (Bern)

0.5 1.3 1.4

Automatic Alarm System Implemented





Software for Alarm Indication

Backup Data and Alarm 1V00.vi

Backup Raw Data

System
2007/09/05;12:43:12; 11937009; 0.000*; 0.000+; 690.920+; 269741513.052+; 0.000*

Tx
2007/09/05;12:43:13;281;00000;INT;H;0;L;yyyn;yyyu;ym; 0.0;53.4; 0.0

Rx1
2007/09/05;12:43:13;281;00000;INT;H;0;L;yyncy;T;3; 6.79;269740572.210; 0.000; 0.000; 0.207; 0.000; 0.000; 0.000; 0.000; 0.0000;

Rx2
2007/09/05;12:43:13;281;00000;INT;B;L;yyncy;T;3; 6.79;269883082.593; 0.000; 0.000; 0.226; 0.000; 0.000; 0.000; 0.000; 0.0000;

TWSTFT Alarm Indication

Configure Mail_Intervall /s 43200 Enable Mails

Description	Status	Mails	Alarm
Tx Modul Sum Error	●	●	●
System f ref Error	●	●	●
System PPS ref Error	●	●	●
System Time ref Error	●	●	●
Ground Station communication Error	●	●	●
Scheduler Error	●	●	●
Rx1 Sum Error	●	●	●
Rx2 Sum Error	●	●	●

EXIT



Enabled Alarms

```

Tx
2007/09/05;12:43:13;281;00000;INT;H_0;L;yyyn;yyuuuym;1.0;53
Rx1
2007/09/05;12:43:13;281;00000;INT;H_0;L;yyncy;T;3; 6; 79;26974
Rx2
2007/09/05;12:43:13;281;00000;INT;B_0;L;yyncy;T;3; 1;281;26988

```

Tx Module Rx1 Module Rx2 Module



Description	Status	Mails	Alarm
Tx Modul Sum Error	Green	Green	Green
System f ref Error	Green	Green	Green
System PPS ref Error	Green	Green	Green
System Time ref Error	Green	Green	Green
Ground Station communication Error	Green	Green	Green
Scheduler Error	Green	Green	Green
Rx1 Sum Error	Green	Green	Green
Rx2 Sum Error	Green	Green	Green



Summary

- ◆ Interruption of TW operation for 3 months
- ◆ TW has become official link to TAI
- ◆ Automatic alarm system implemented

Outlook

- ◆ Some hardware improvements
- ◆ Second calibration with portable earth station